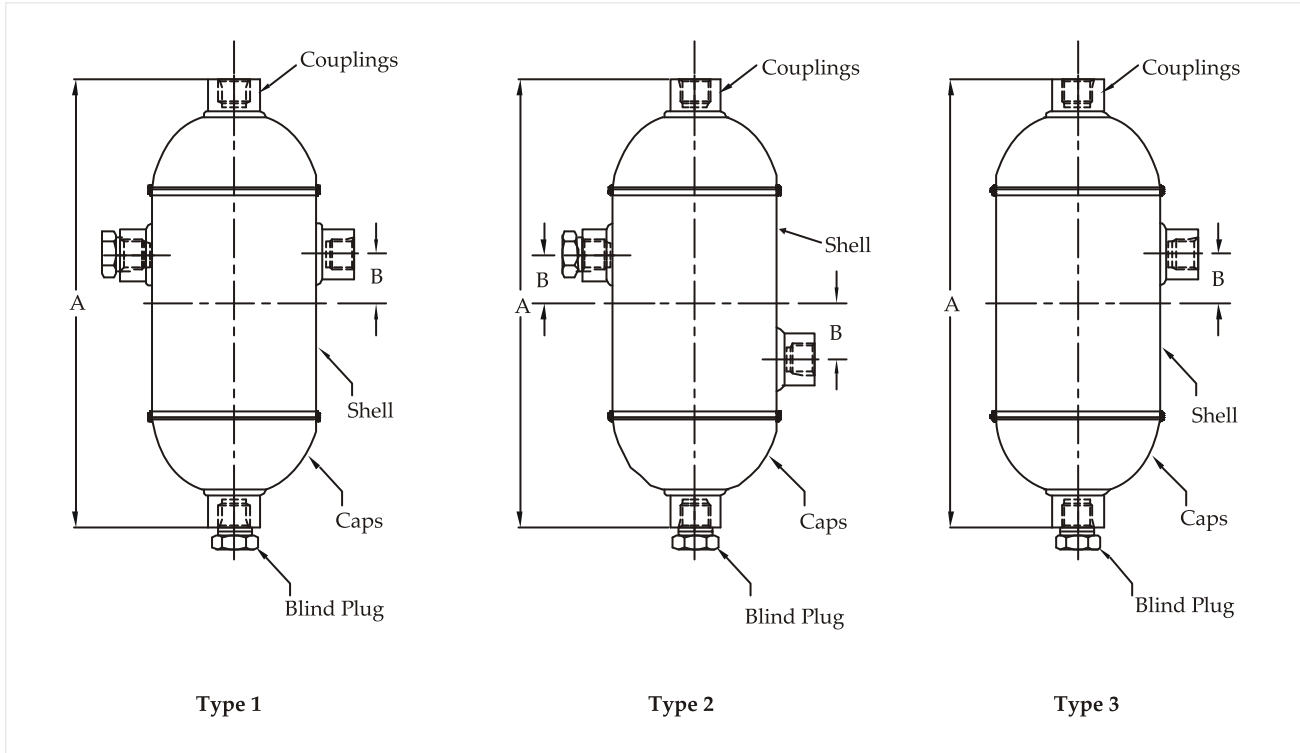


INTRODUCTION

Condensing pots are largely used in steam metering lines to cool and condense steam and to maintain a constant liquid head above instruments. They are also recommended for liquid service when flowing temperature is above 150° C. All chambers are equipped with top venting entrapped air and can be furnished with a plug



Condensate Pot Data

All connections are 1/2" NPT (F) Size & can either be socket welds on request
 Threaded connection NPT as per : ANSI B1 201
 Socket weld connection as per : ANSI 16 11
 Seal / Condensate pots as per 100% Hydro Tested.
 Types from figures can be selected as per your requirement
 we undertake any other combination as per customer requirement

Dimensions		
Size	A	B
2"	250	30
3"	300	40
4"	350	50
6"	400	50

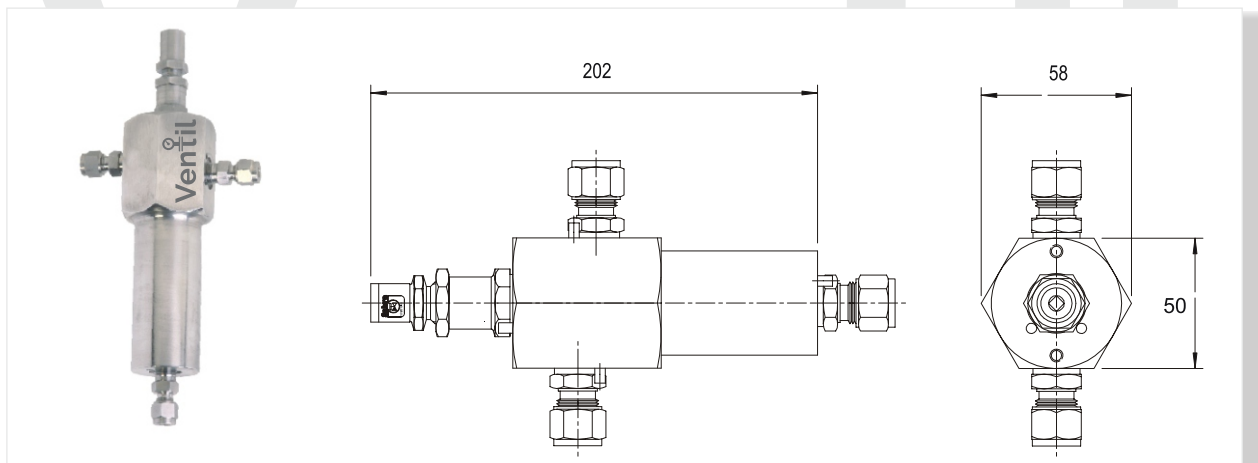
Test Pressure kg/cm ²			
Size	SCH40	SCH80	SCH160
2"	150	225	325
3"	125	200	300
4"	90	155	275
6"	80	135	240



HOW TO ORDER

BASIC MODEL				Example		
TYPE				KWCP		
MATERIAL OF CONSTRUCTION						
C	Carbon Steel	SL	SS 316L	H	Hastelloy C	
S	SS 316 (std)	M4	Monel 400			XX
S4	SS 304	M5	Monel 500			
PATTERN						
A	Type 1	C	Type 3			X
B	Type 2					
SIZE OF PIPE						
1	2" (50)	3	4" (100)			X
2	3" (80)					
PIPE SCHEDULE						
04	Schedule 40	160	Schedule 160			XX OR XXX
08	Schedule 80					XXX
CONNECTIONS						
N	NPT (ANSI B 1.20.1)	B	BSPT (BS 21, ISO 7/1)			X OR
P	BSP (BS 2779, ISO 228/1)	SW	Socket Weld			XX

Seal Pot with vent valve use for service requiring open static seals such as steam, corrosive or dirty process, suitable for instruments with low volume displacement at full. Suitable for instruments with flow volume displacement at full range. Vent Valve Packing will be grafoil



Maximum Working Pressure 413 Bar at 38° C
Maximum Working temperature 450° C

CONNECTION

Process connection 1/4" BSP
Instrument connection 1/4" BSP
1/4" and 1/2" NPT connection are available
Vent Connection 1/4" BSP

Anti Tamper Key can be supplied for use with Anti- Tamper valve heads, which are fitted to all vent and equalize valves.
Designed to prevent unauthorized operation of valves.

OPTION

ATK : Anti Tamper key
Super lok tube fittings can be supply as optional

MATERIAL OF CONSTRUCTION

C = Carbon Steel
S = SS 316 (std)
S4 = SS 304
SL = SS 316L
M4 = Monel 400
M5 = Monel 500
H = Hastelloy C

Ordering Example : KWCP - XX - X - X - XX OR XXX - X OR XX

For Other Optional Items, Please Contact Factory For Delivery and Minimum Quantity of Order.

Note : Specifications and dimensions given in this product catalogue represents the state of engineering at the time of printing.

Modifications may take place and materials specified may be replaced by others without prior notice.